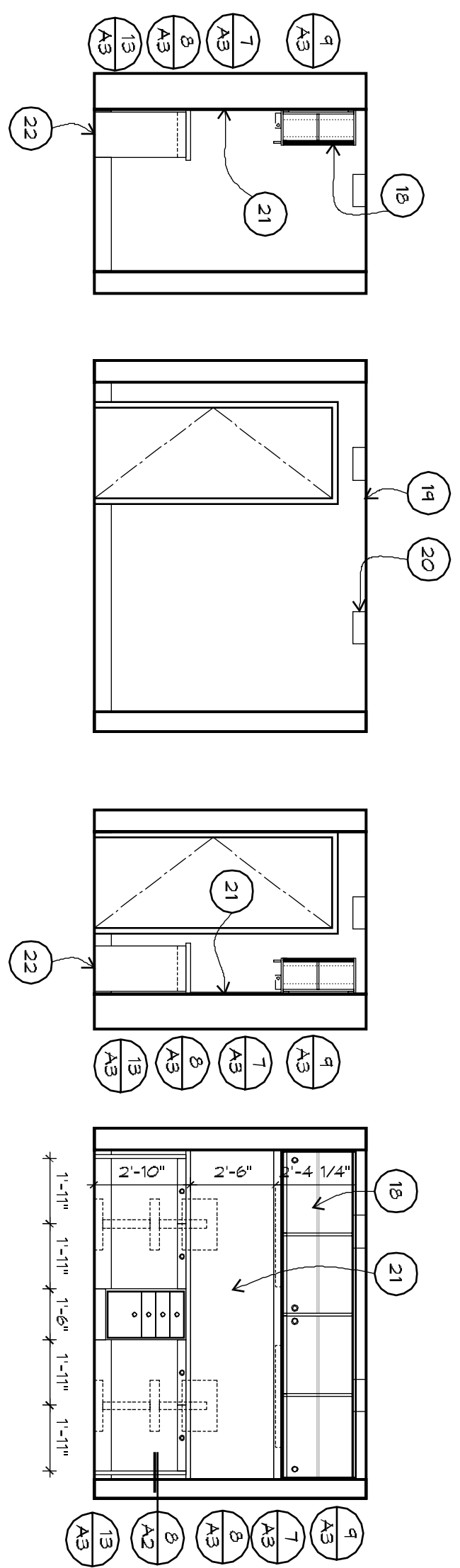
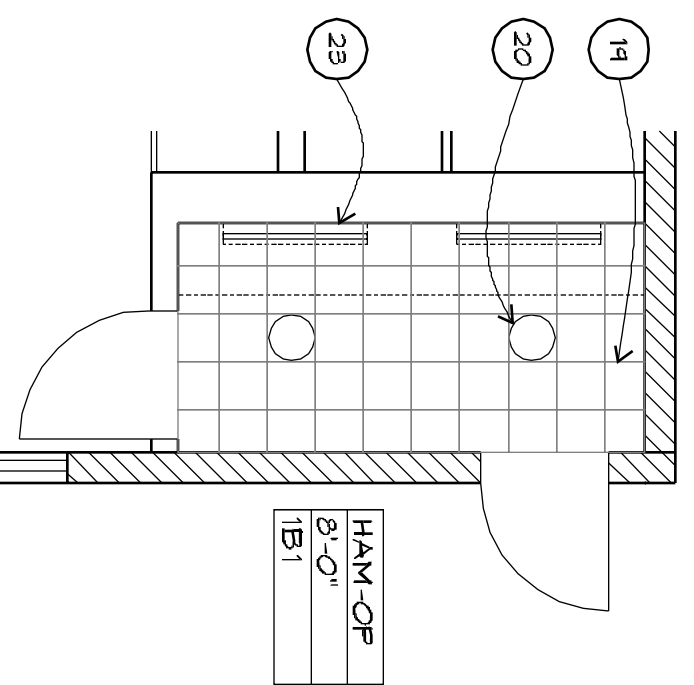


**KEY NOTES:**

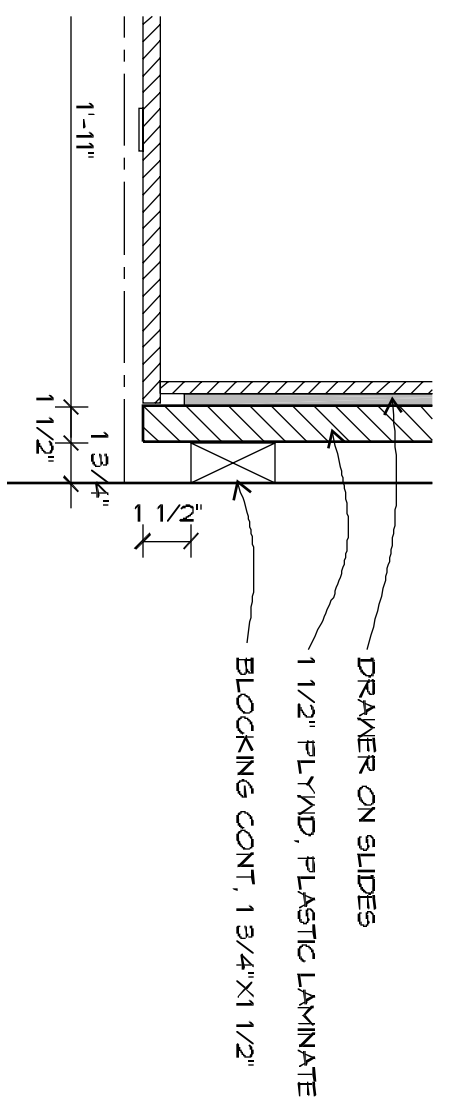
- 1 CEILING MOUNTED ELECTRIC SCREEN, INSTALLED AS PER MANUFACTURERS INSTRUCTIONS
- 2 HORIZONTAL WHITEBOARD
- 3 POPUP
- 4 FLAT SCREEN
- 5 KITCHENETTE W/STORAGE, SINK, MICROWAVE & COUNTERTOP. SEE (A)(10), (A)(11), (A)(12), (A)(13)
- 6 VERTICAL BLINDS ON FACADE
- 7 CUSTOM FREESTANDING WALL, H 8'-0", SEE (A)(14), (A)(15), (A)(16), (A)(17), (A)(18)
- 8 2"x4 5/4" TUBE, 18 GAUGE, L 112'-0", SEE (A)(19)
- 9 MICROWAVE
- 10 FURR WALL FOR 4" PIPE
- 11 REMOVE WATER HEATER AND INSTALL (N) WATER HEATER ON ROOF. SEE (A)(2), (A)(11)
- 12 COFFEE MAKER
- 13 REMOVABLE PANEL
- 14 CABINET DOOR FASTENED @ WALL
- 15 MOVABLE FURNITURE PANELS
- 16 (N) FACADE. SEE (A)(2), (A)(3), (A)(4)
- 17 (E) SLIDING DOORS, REFINISH, PREPARE FOR PAINTING
- 18 WALL CABINET W/ SLIDING GLASS DOORS. SEE (A)(15)
- 19 1"x1 ACOUSTIC CEILING PANELS
- 20 CEILING MOUNTED LIGHTING
- 21 PLASTIC LAMINATE PANEL
- 22 HW OPERATOR'S DESK. SEE (T)(7), (A)(19), (A)(23)
- 23 UNDER CABINET LIGHTING
- 24 CEILING MOUNTED PROJECTOR ON LIFT
- 25 "RESCU" 5000 TWO-PIECE MULTIPLE CHANNEL
- 26 WOOD DOOR H.C., 6'-8"x9'-0" - SEE SPECIFICATIONS 02210 AND 02110
- 27 5/8" GYPSUM BOARD
- 28 RUBBER BASE 6"
- 29 SOAP AND PAPER TOWEL DISPENSER



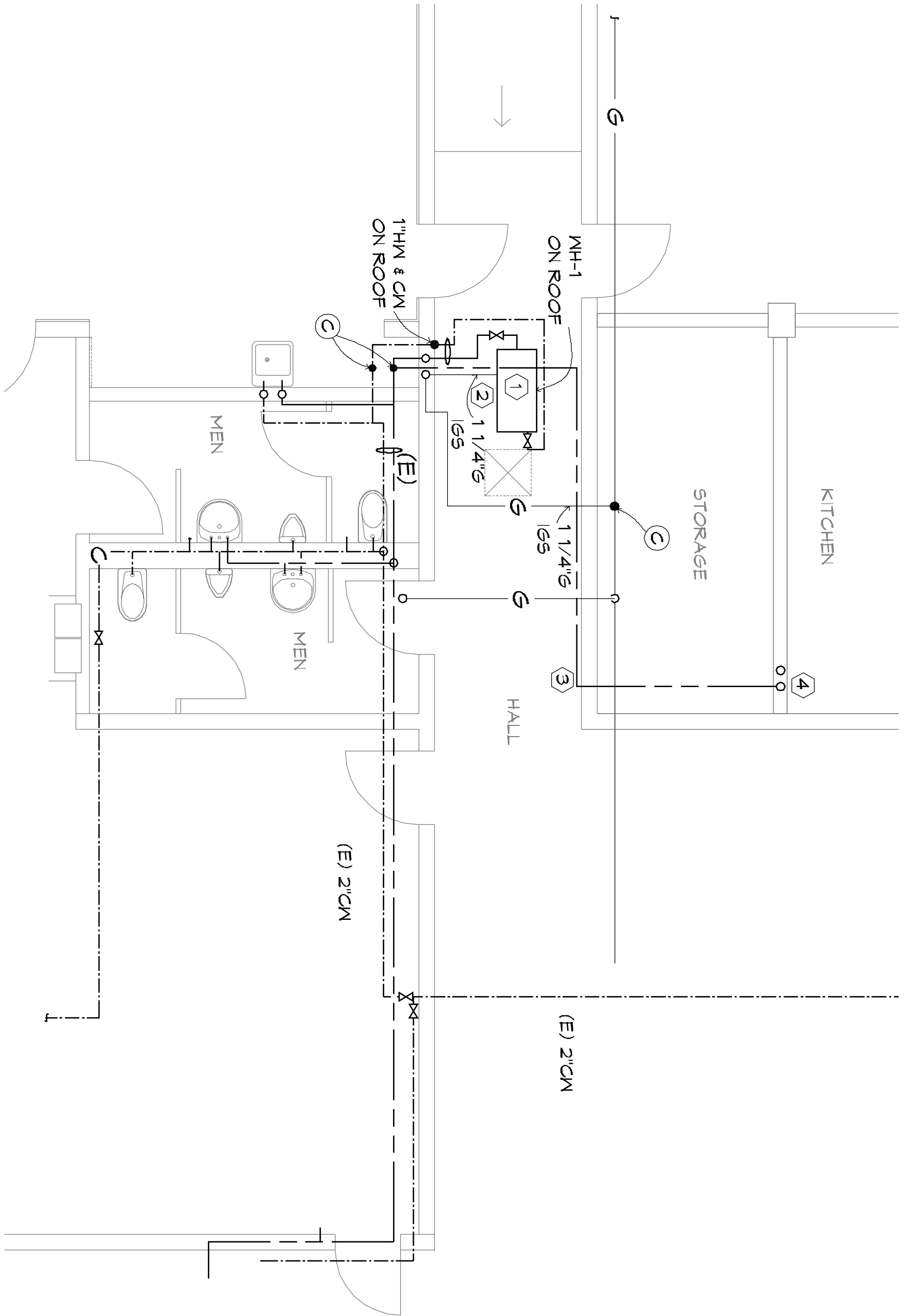
**6 ELEVATIONS HAM-OPERATOR**  
SCALE: 1/4" = 1'-0"



**7 REFLECTED CEILING PLAN HAM-OP**  
SCALE: 1/4" = 1'-0"



**8 DETAIL DESK HAM-OP**  
SCALE: 1/4" = 1'-0"

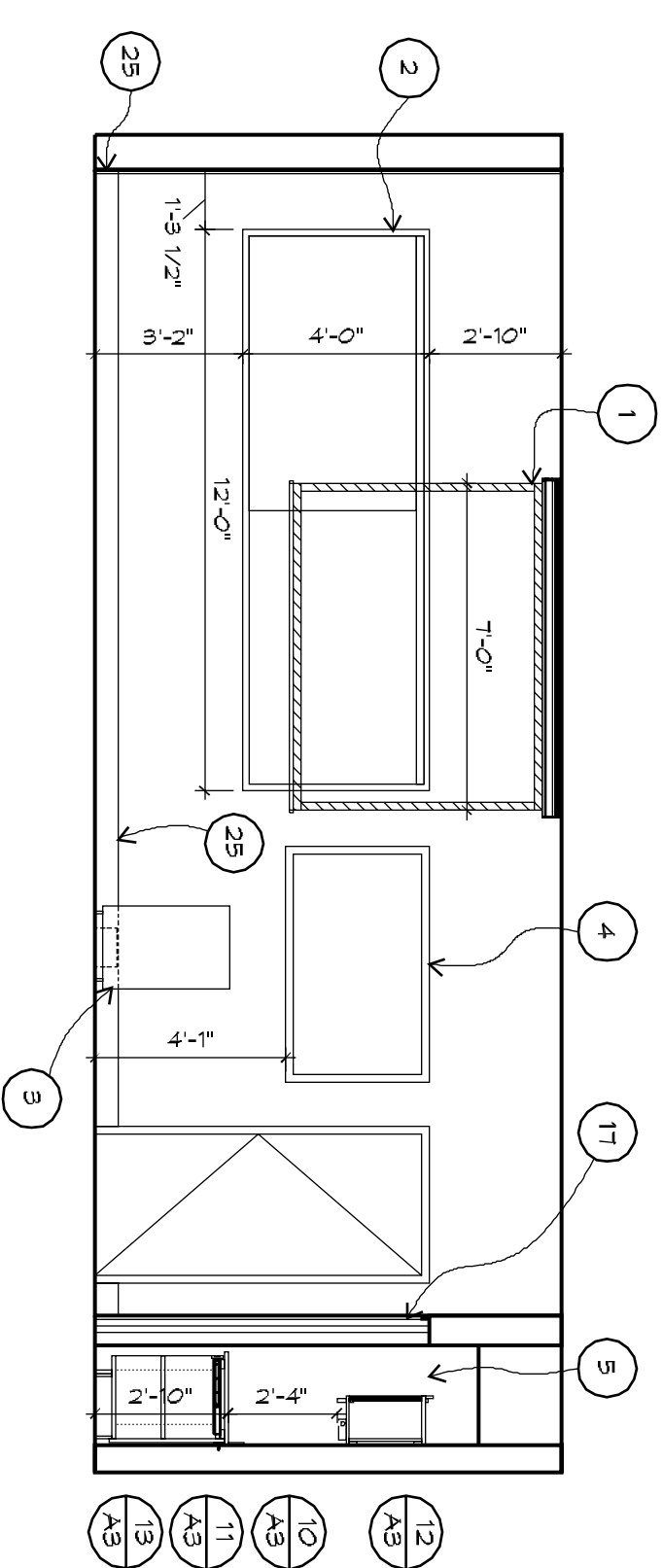


**9 PLUMBING EXTENSION PLAN**  
SCALE: 1/4" = 1'-0"

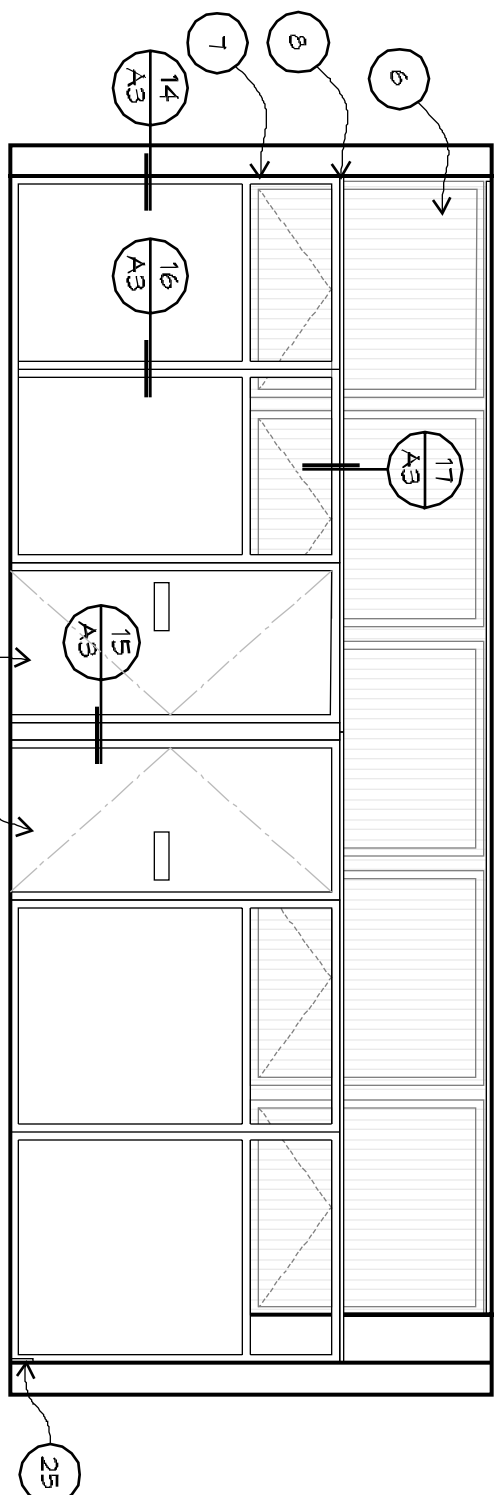
SYMBOLS	LEGEND	DESCRIPTION
— CW —	CW	COLD WATER - DOMESTIC
— D —	D	CONDENSATE DRAIN
— G —	G	GAS
— GV —	GV	GATE VALVE
— GW —	GW	GREASE WASTE
— HW —	HW	HOSE BIBBS
— HW —	HW	HOT WATER - DOMESTIC
— ICS —	ICS	IN CEILING SPACE
(E)	(E)	EXISTING TO REMAIN
(C)	(C)	CONNECT TO EXISTING
(N)	(N)	NEW
◻		SHEET NOTE

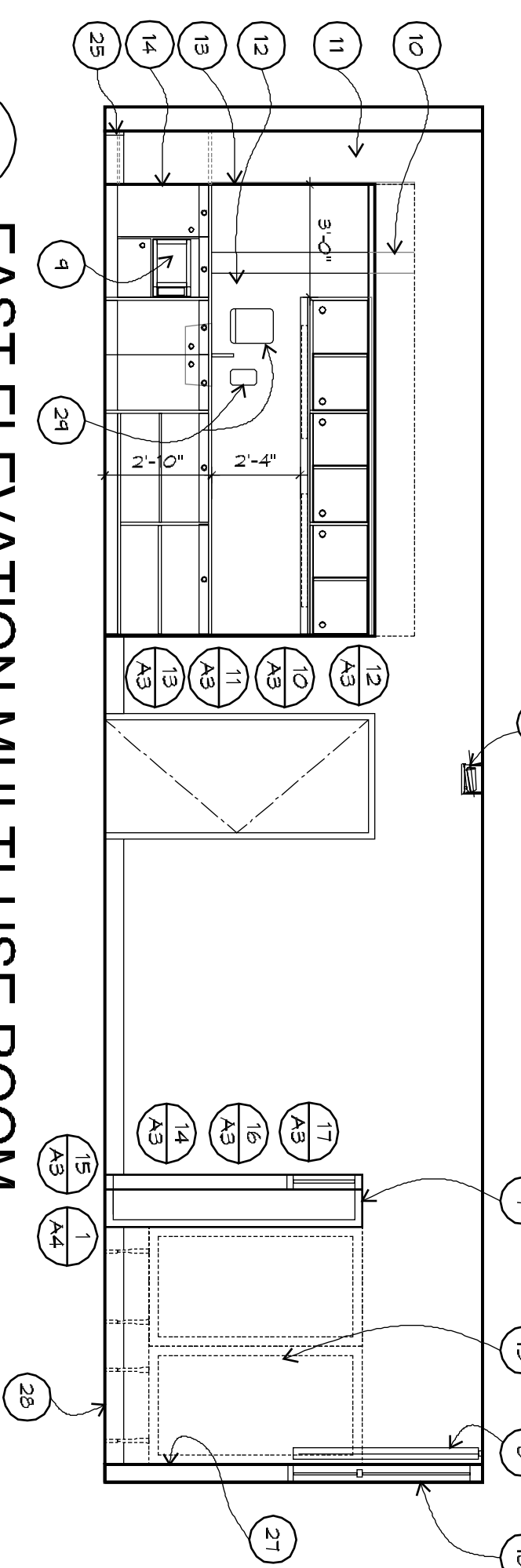
1	NH-1 TERMINAL RYS/SE, TANKLESS WATER HEATER, 120,000 BTUH INPUT, 120V W/110V, 1 PHASE, FOR OUTDOOR USE
2	NH-1 ON ROOF. SEE DETAIL FOR NH, SUPPORT STAND
3	CONNECT 3/4" COPPER PIPE TO KITCHEN TO HOT WATER - CEILING AND WALL.
4	CONNECT TO KITCHEN HOT WATER



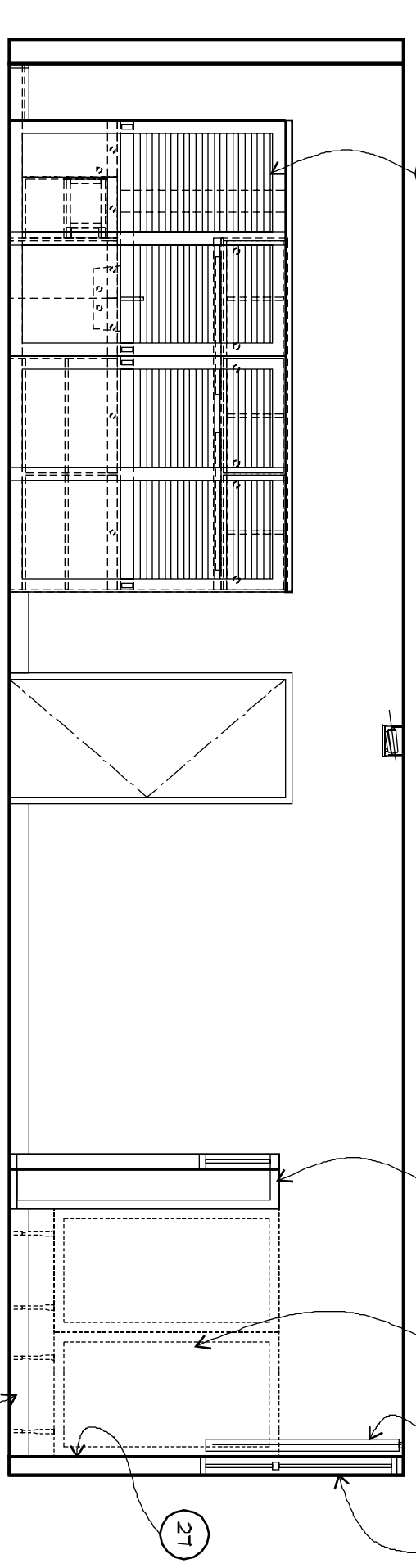
**1 NORTH ELEVATION MULTI-USE ROOM**  
SCALE: 1/4" = 1'-0"



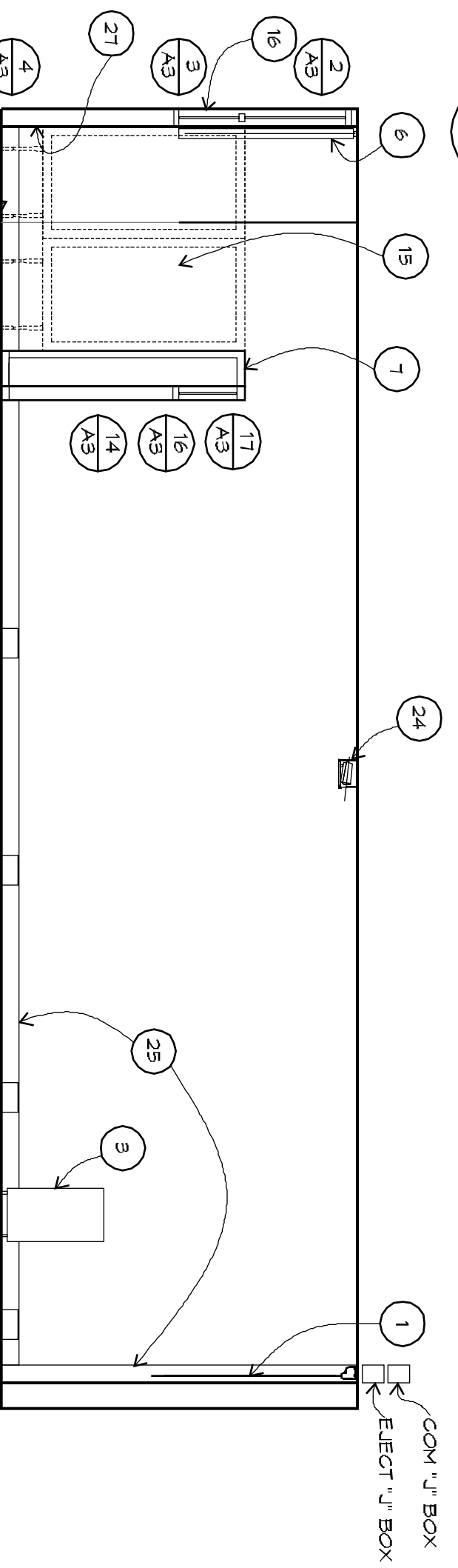
**2 SOUTH ELEVATION MULTI-USE ROOM**  
SCALE: 1/4" = 1'-0"



**3 EAST ELEVATION MULTI-USE ROOM**  
SCALE: 1/4" = 1'-0"



**4 EAST ELEV. MULTI-USE DOORS CLOSED**  
SCALE: 1/4" = 1'-0"



**5 WEST ELEVATION MULTI-USE ROOM**  
SCALE: 1/4" = 1'-0"

